

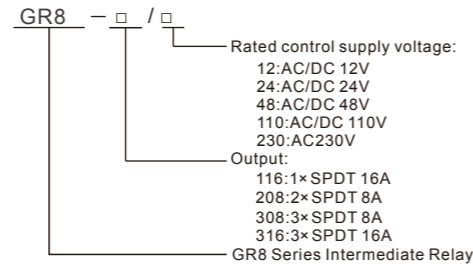
# Intermediate relay



## General

- Applications
  - intermediate relay used for switching larger load output, strengthen or multiplying contacts of the existing device.
- Function Features
  - Voltage range: AC/DC 12V,24V,48V,110V,AC230V.
  - relays GR8-316 enable connection to a 3-phase circuit.
  - Relay status is indicated by LED.
  - 1-MODULE, DIN rail mounting.

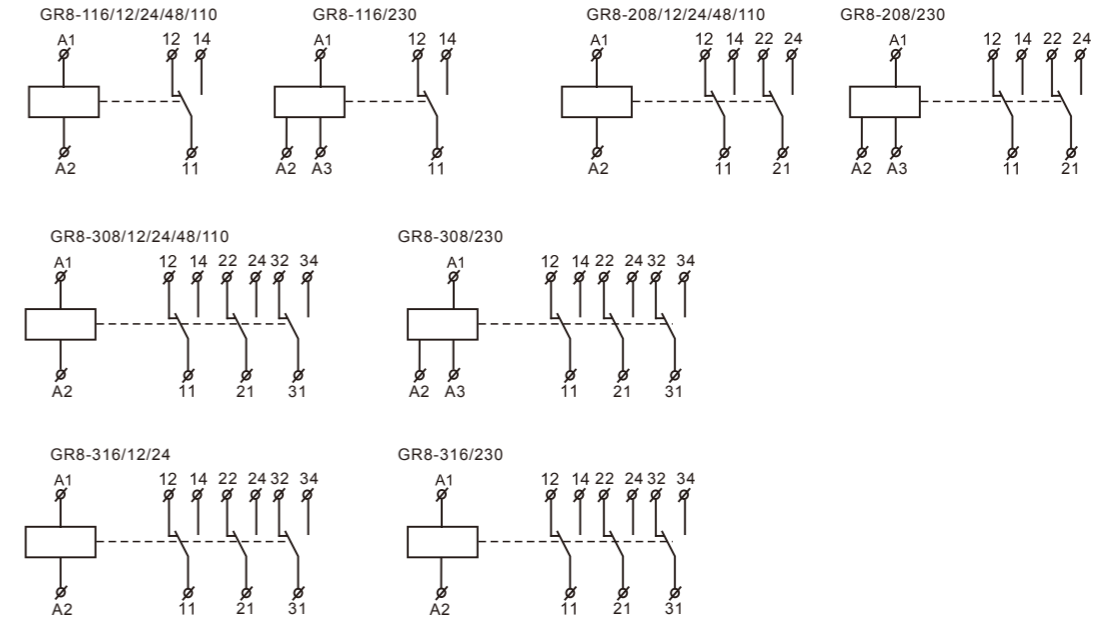
## ■ Model and connotation



## Technical parameters

Technical parameters	GR8-116	GR8-208	GR8-308	GR8-316
Supply terminals	A1-A2			A1-A2
Voltage range	AC/DC 12V, 24V, 48V, 110V			AC/DC 12V, 24V
Burden	AC.max 12VA/DC.max1.9W			
Supply terminals	A1-A2-A3			A1-A2
Voltage range	AC230V(A1-A2),AC/DC24V(A1-A3)			AC230V
Burden	AC.max 12VA/DC.max1.9W			AC.max 6VA
Supply voltage tolerance	-15%;+10%			
Max.chargeover time	40ms			
Output				
Number of contact	1× SPDT	2× SPDT	3× SPDT	3× SPDT
Current rating	16A/ AC1	8A/ AC1		16A/ AC1
Switching voltage	250VAC/24VDC			
Min.breaking capacity DC	500mW			
Output indication	Red LED			
Mechanical life	1× 10 <sup>7</sup>			
Electrical life(AC1)	1× 10 <sup>5</sup>			
Reset time	max.200ms			
Operating temperature	-20°C to +55°C (-4°F to 131°F)			
Storage temperature	-35°C to +75°C (-22°F to 158°F)			
Mounting/DIN rail	Din rail EN/IEC 60715			
Protection degree	IP40 for front panel/IP20 terminals			
Operating position	any			
Overvoltage category	III.			
Pollution degree	2			
Max.cable size(mm <sup>2</sup> )	solid wire max.1× 2. 5or 2× 1. 5/ with sleeve max.1× 2. 5(AWG 12)			
Dimensions	90× 18× 64mm			
Weight	44g/54g	50g/60g	72g/82g	86g/96g

## Wiring Diagram



## Dimensions(mm)

