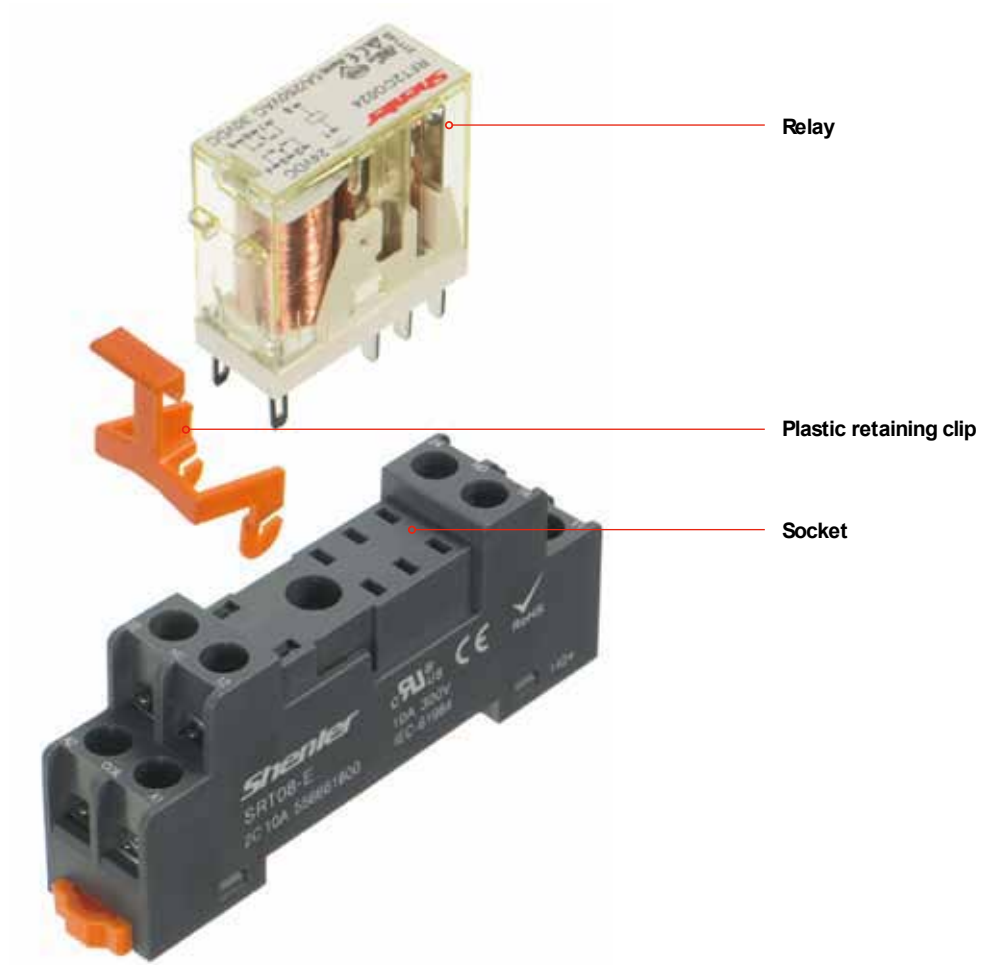


# >>> RFT Interface Relay

*Shenler*  
>>> Industrial Relay Series



## >>> Socket selection table

		
SRT□□-A	SRU□□-E	SRT□□-P

# >>> RFT Interface Relay



RFT1CO



RFT2CO

## Features

- > 1 pole 10A; 2 pole 5A
- > Slim and compact size
- > High-capacity and high reliability
- > Meet with RoHs requirement

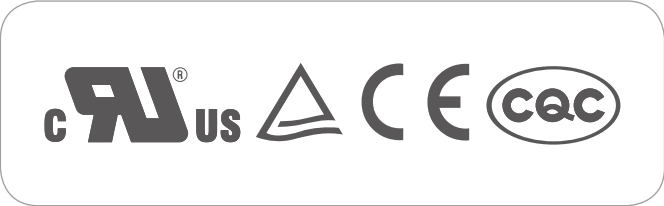
## Ordering Information

**Contact form** \_\_\_\_\_ RFT □ □ □ □  
 1, 2 (C:Change over)

**Terminal Arrangement** \_\_\_\_\_  
 O: plug in type with contact load 1 pole 10A, 2 pole 5A  
 H: plug in type with contact load 1 pole 16A, 2 pole 8A

**Coil Voltage** \_\_\_\_\_  
 006~110: 6~110VDC  
 506~740: 6~240VAC

**Other Options** \_\_\_\_\_  
 L: LED  
 D: Diode  
 LD: LED+Diode  
 LT: LED+ test button(under development)  
 LTD: LED+test button+Diode (under development)  
 B: install at top  
 A: for signal control (selection plus A, namely LA, DA, LDA, LTA, LTDA, BA)



## Characteristics

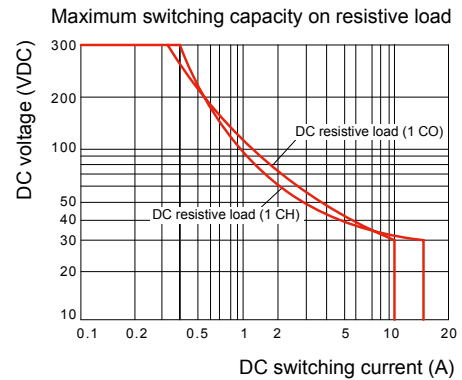
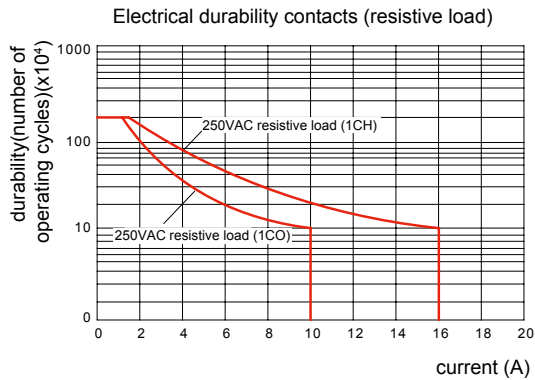
		1C	2C	
Contact	Configuration			
	Rated current/ rated voltage	AC-1	10A, 16A/250VAC, 30VDC	5A, 8A/250VAC, 30VDC
		AC-15	1/3HP, 240VAC, 1/2HP, 240VAC	1/6HP, 240VAC
	Switching capacity (resistive)	2500VA, 300W; 4000VA, 480W	1250VA 150W; 2000VA, 240W	
	Initial contact resistance	≤50mΩ		
	Material	Ag alloy		
	Electrical durability	≥10 <sup>5</sup> times (1800 Ops/h)		
Mechanical durability	≥10 <sup>7</sup> times (18000 Ops/h)			
Pick-up voltage (23℃)	DC:≤75% Rated voltage, AC:≤80% Rated voltage			
Drop-out voltage (23℃)	DC:≥10% Rated voltage, AC:≥30% Rated voltage			
Maximum voltage (23℃)	110% Rated voltage			
Insulation resistance	≥1000mΩ (500VDC)			
Coil operating power	DC (W)	0.53		
	AC (VA)	1		
Operate time (at nominal voltage)	≤20ms			
Release time (at nominal voltage)	≤10ms			
Initial breakdown voltage	Between open contacts	1000VAC/1min		
	Between poles	1000VAC/1min		
	Between contacts and coil	5000VAC/1min		
Ambient temperature	-40~+55℃			
Humidity	35%~85%RH			
Air pressure	86~106KPa			
Shock resistance	10G			
Vibration resistance	10~55Hz double-amplitude:1.0mm			
Mounting	plug in			
Unit weight	Approx. 17g			

### Coil Specifications (23 °C)

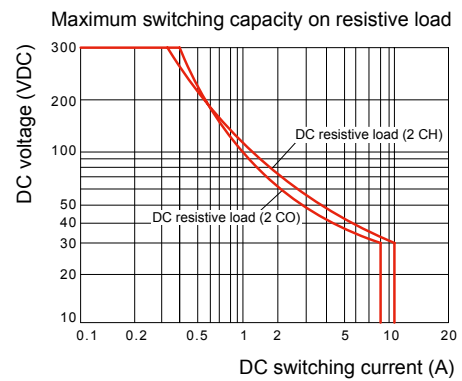
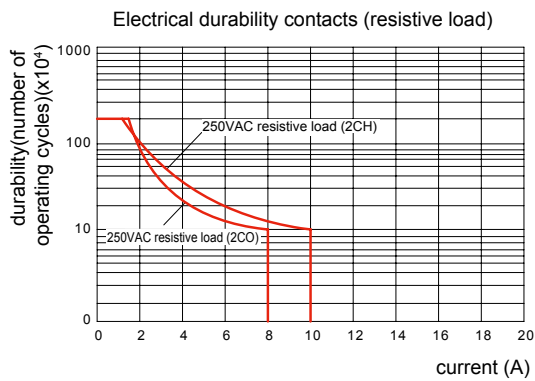
<b>Voltage Code</b>	<b>006</b>	<b>009</b>	<b>012</b>	<b>024</b>	<b>036</b>	<b>048</b>	<b>110</b>	
<b>Nominal Voltage V.DC</b>	<b>6</b>	<b>9</b>	<b>12</b>	<b>24</b>	<b>36</b>	<b>48</b>	<b>110</b>	
<b>Coil resistance <math>\Omega</math> (<math>\pm 10\%</math>)</b>	<b>68</b>	<b>150</b>	<b>270</b>	<b>1100</b>	<b>2440</b>	<b>4300</b>	<b>22800</b>	
<b>Voltage Code</b>	<b>506</b>	<b>512</b>	<b>524</b>	<b>548</b>	<b>610</b>	<b>720</b>	<b>730</b>	<b>740</b>
<b>Nominal Voltage V.AC</b>	<b>6</b>	<b>12</b>	<b>24</b>	<b>48</b>	<b>110</b>	<b>220</b>	<b>230</b>	<b>240</b>
<b>Coil resistance <math>\Omega</math> (<math>\pm 10\%</math>)</b>	<b>16</b>	<b>63</b>	<b>240</b>	<b>1085</b>	<b>5500</b>	<b>21000</b>	<b>23000</b>	<b>25000</b>

### Contact specification

#### RFT1CO

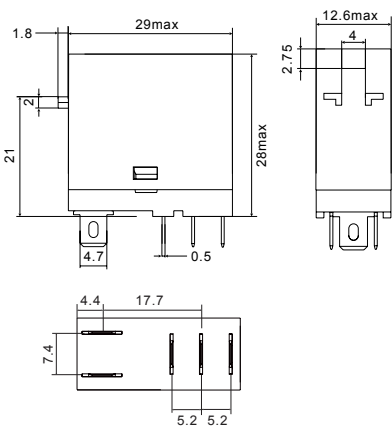


#### RFT2CO

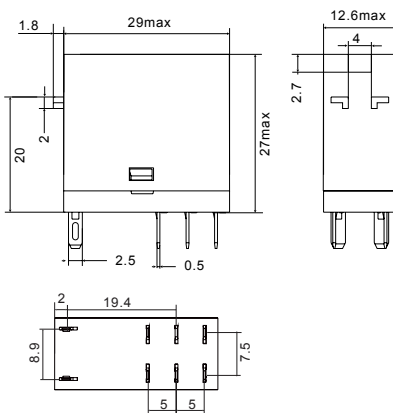


### Dimensions (mm)

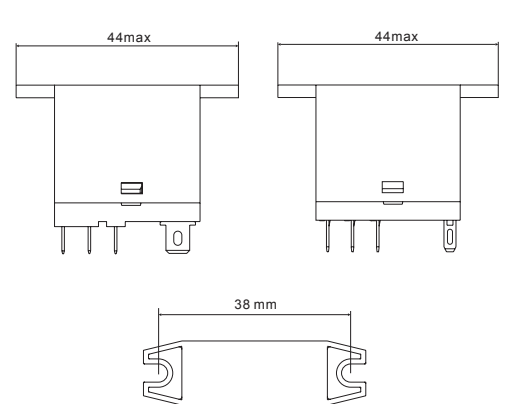
#### RFT1C



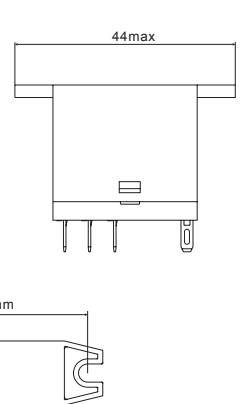
#### RFT2C



#### RFT1CB

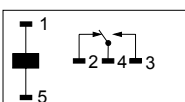


#### RFT2CB

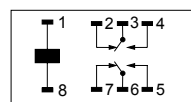


### Schemes

#### RFT1CO



#### RFT2CO



# >>> RFT Interface Relay

## RFT Socket

### >>> SRT□□-E

#### Presentation



10/16 AMPS 300 VOLTS



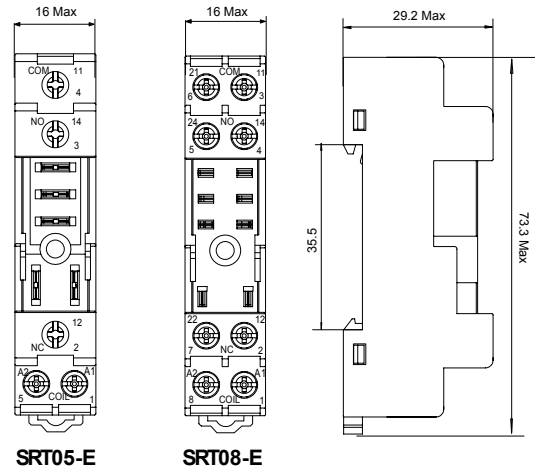
#### Characteristic

Type			SRT05-E	SRT08-E
Nominal Load	Current	A	16	10
	Voltage	V	300	
Dielectric strength	Between coil and contact	V/S	4000	
	Between contacts	V/S	2500	
Max. tightening torque		Nm	1.0	
Wire size		AWG/mm <sup>2</sup>	20-14/0.5-2.5	
Ambient temperature		°C	-45~85	
Unit weight		g	22	27

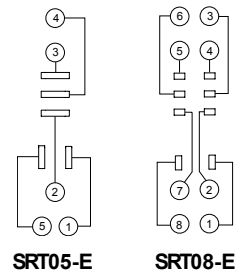
#### Relay, accessories selection table

Socket	Plastic clip	Metal clip	ID tag	Module	DIN rail
SRT05-E	SR20T	-	-	-	PFP
SRT08-E					

#### Dimensions (mm)



#### Connection Diagrams



### >>> SRT□□-A

#### Presentation



10/16 AMPS 300 VOLTS



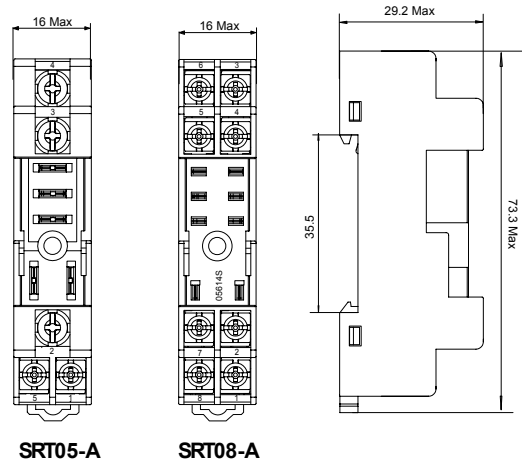
#### Characteristic

Type			SRT05-A	SRT08-A
Nominal Load	Current	A	16	10
	Voltage	V	300	
Dielectric strength	Between coil and contact	V/S	4000	
	Between contacts	V/S	2500	
Max. tightening torque		Nm	1.0	
Wire size		AWG/mm <sup>2</sup>	20-14/0.5-2.5	
Ambient temperature		°C	-45~85	
Unit weight		g	22	27

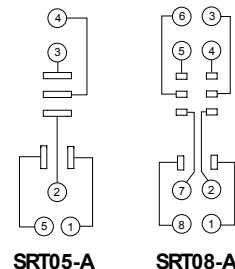
#### Relay, accessories selection table

Socket	Plastic clip	Metal clip	ID tag	Module	DIN rail
SRT05-A	SR20T	-	-	-	PFP
SRT08-A					

#### Dimensions (mm)



#### Connection Diagrams



**RFT Socket**

**>>> SRU□□-E**

**Presentation**



**10/16 AMPS 300 VOLTS**



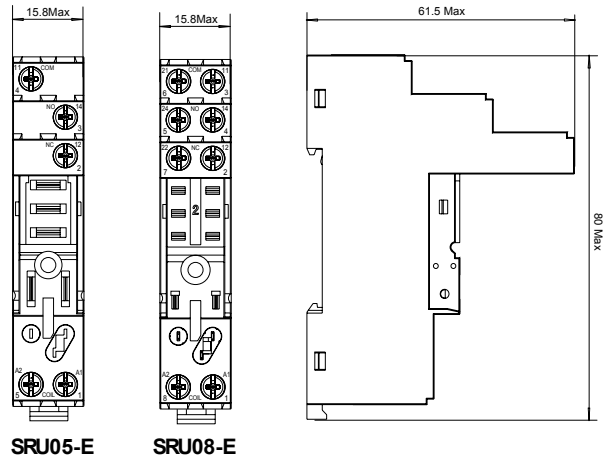
**Characteristic**

Type			SRU05-E	SRU08-E
Nominal Load	Current	A	16	10
	Voltage	V	300	
Dielectric strength	Between coil and contact	V/S	4000	
	Between contacts	V/S	2500	
Max. tightening torque		Nm	1.0	
Wire size		AWG/mm <sup>2</sup>	20-14/0.5-2.5	
Ambient temperature		°C	-45~+85	
Unit weight		g	35	43

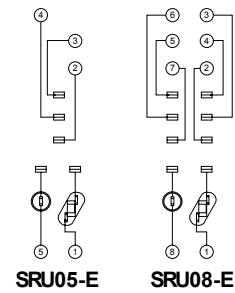
**Relay, accessories selection table**

Socket	Plastic clip	Metal clip	ID tag	Module	DIN rail
SRU05-E	SR20U	-	SR2P	AMD	PPF
SRU08-E					

**Dimensions (mm)**



**Connection Diagrams**



**>>> SRT□□-P**

**Presentation**



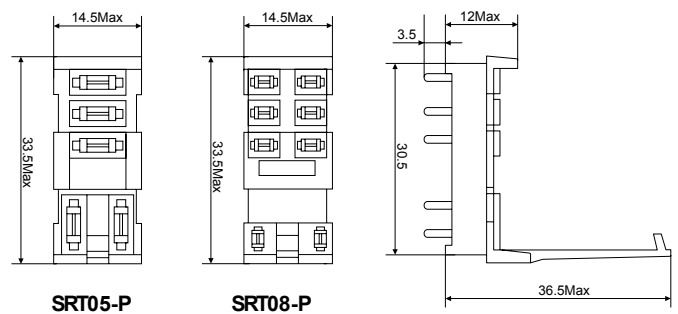
**10/16 AMPS 300 VOLTS**



**Characteristic**

Type			SRT05-P	SRT08-P
Nominal Load	Current	A	16	10
	Voltage	V	300	
Dielectric strength	Between coil and contact	V/S	4000	
	Between contacts	V/S	2500	
Ambient temperature		°C	-40~+65	
Unit weight		g	4	

**Dimensions (mm)**



**Connection Diagrams**

